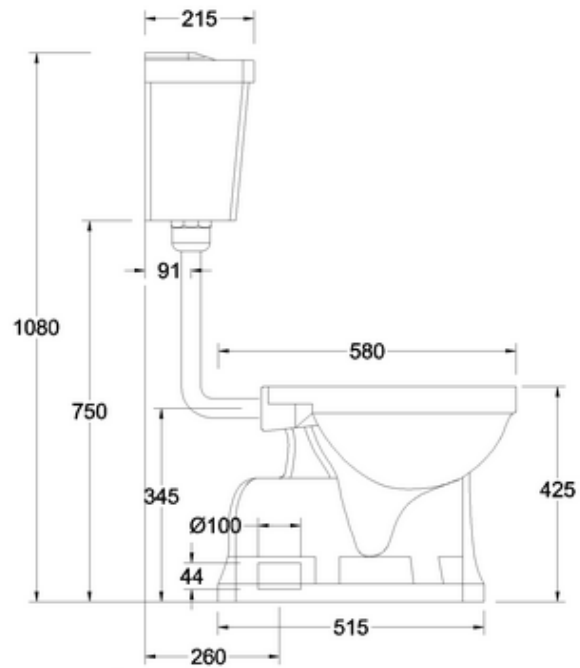


○ Inlet hole bottom right



(To achieve this dimension by 240mm, cut the pipe by 20mm)

