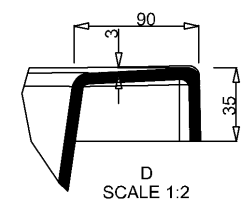
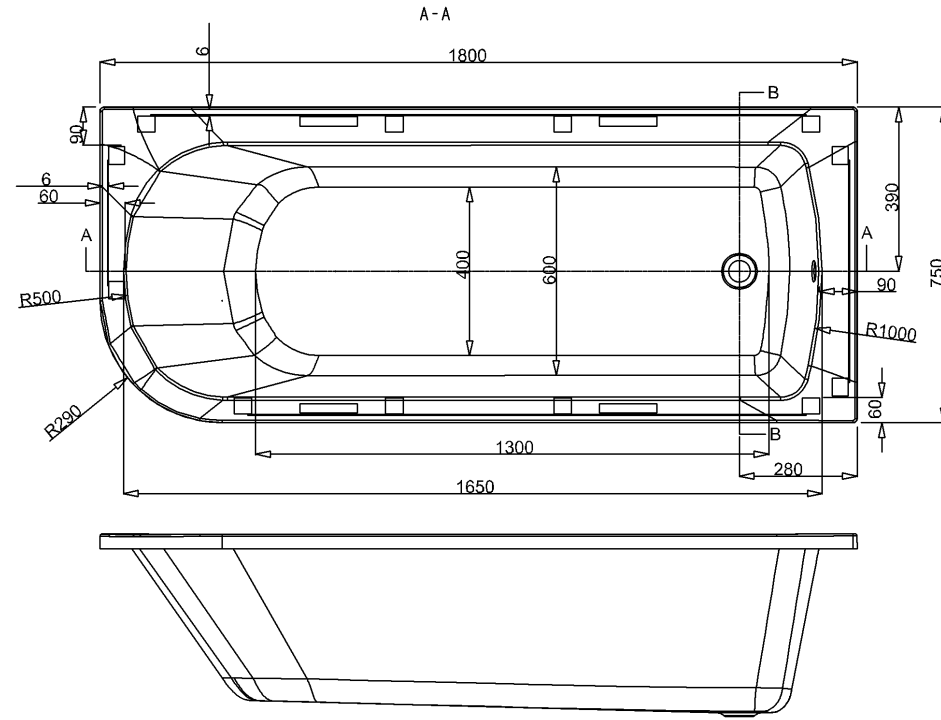
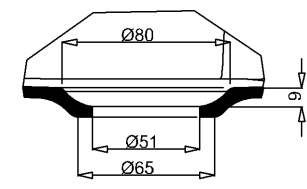


WATER LEVEL
224L (154L)



D
SCALE 1:2



C
SCALE 1:2

