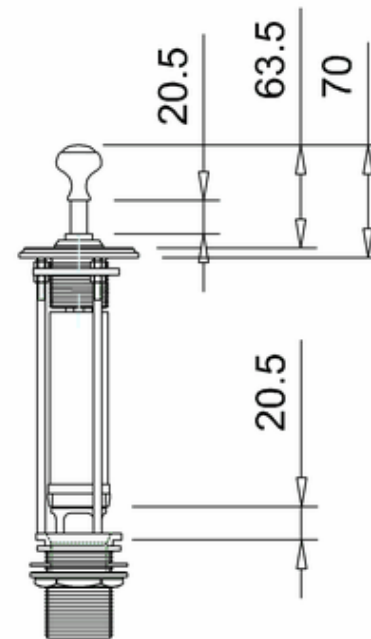


Close



OPEN