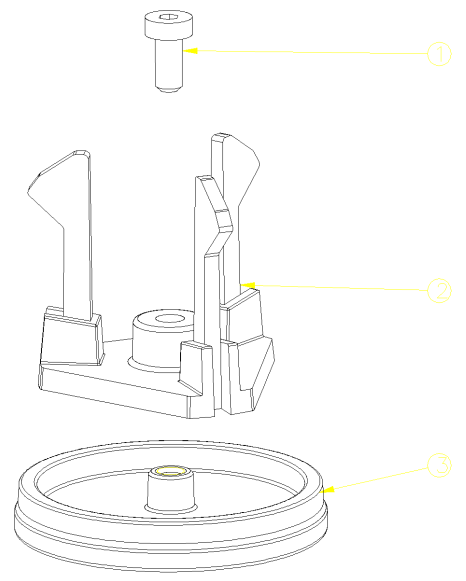


Detail A



Drawn By (Date)	RJL 18-09-27	Item No.:	YS
Checked By (Date)		Description:	Decorative overflow cover for basins
Approved By (Date)			
crosswater[®]			